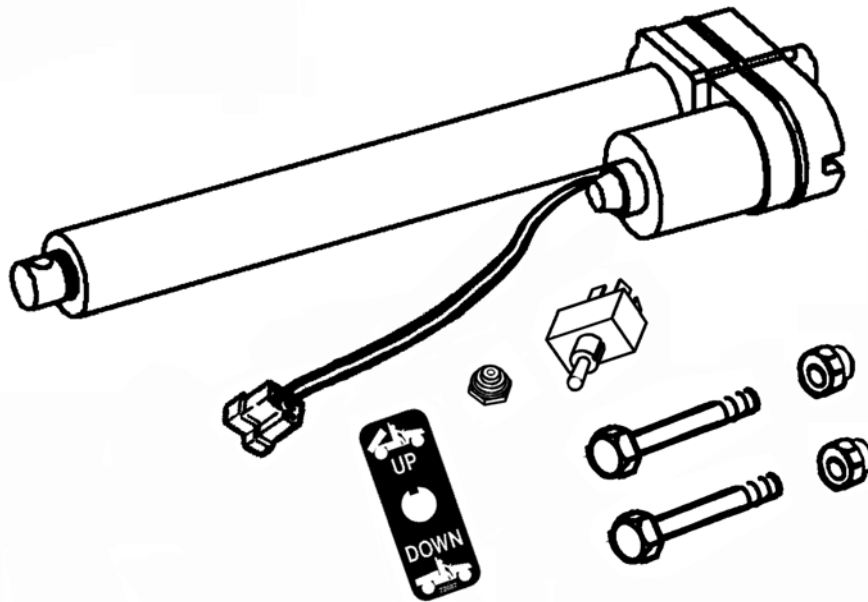


*Parts Manual for*

# **SNAPPER®**

## **ELECTRIC LIFT KIT (UTILITY VEHICLE)**

<b>MODEL</b>
<b>63141</b>
<b>7063141</b>



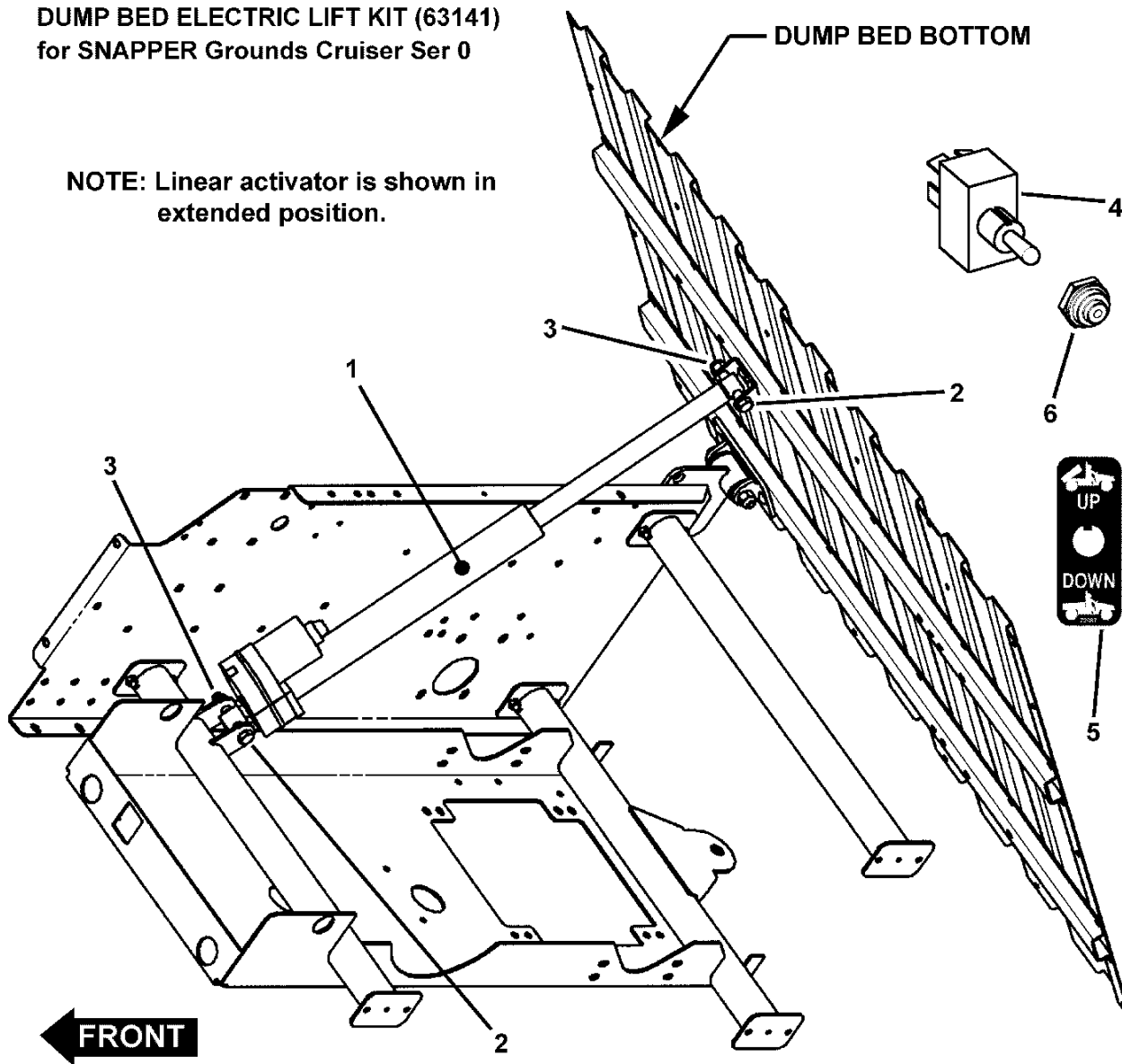
**SNAPPER®** McDonough, GA, 30253 U.S.A.



<b>PAGE</b>	<b>GROUP</b>
4	Grounds Cruiser Dump Bed Electric Lift Kit

**DUMP BED ELECTRIC LIFT KIT (63141)  
for SNAPPER Grounds Cruiser Ser 0**

**NOTE: Linear activator is shown in  
extended position.**



## **Grounds Cruiser Dump Bed Electric Lift Kit**

---

<b>Item</b>	<b>Part No</b>	<b>Qty</b>	<b>Description</b>	<b>Note</b>
1	7063141	1	LINEAR ACTUATOR, Dump Bed	<i>Was 72641</i>
2	7091821	2	SCREW, 1/2-13 x 3" Hex Head Cap	
3	7091922	2	NUT, 1/2-13 Hex Nyloc	
4	7035700	1	SWITCH, Deck Lift, Self Centering	
5	7072687	1	DECAL, Bed Lift	
6	7035702	1	SEAL, Switch	
--	7073812	1	INSTRUCTION SHEET, Bed Lift Kit	

### **Footnotes:**





*Parts Manual for*

# **SNAPPER<sup>®</sup>**

## ***ELECTRIC LIFT KIT (UTILITY VEHICLE)***

IT IS THE POLICY OF SNAPPER TO IMPROVE ITS PRODUCTS WHENEVER IT IS POSSIBLE AND PRACTICAL TO DO SO. WE RESERVE THE RIGHT TO MAKE CHANGES OR ADD IMPROVEMENTS AT ANY TIME WITHOUT INCURRING ANY OBLIGATION TO MAKE SUCH CHANGES ON PRODUCTS MANUFACTURED PREVIOUSLY.

**SNAPPER<sup>®</sup>** McDonough, GA, 30253 U.S.A.